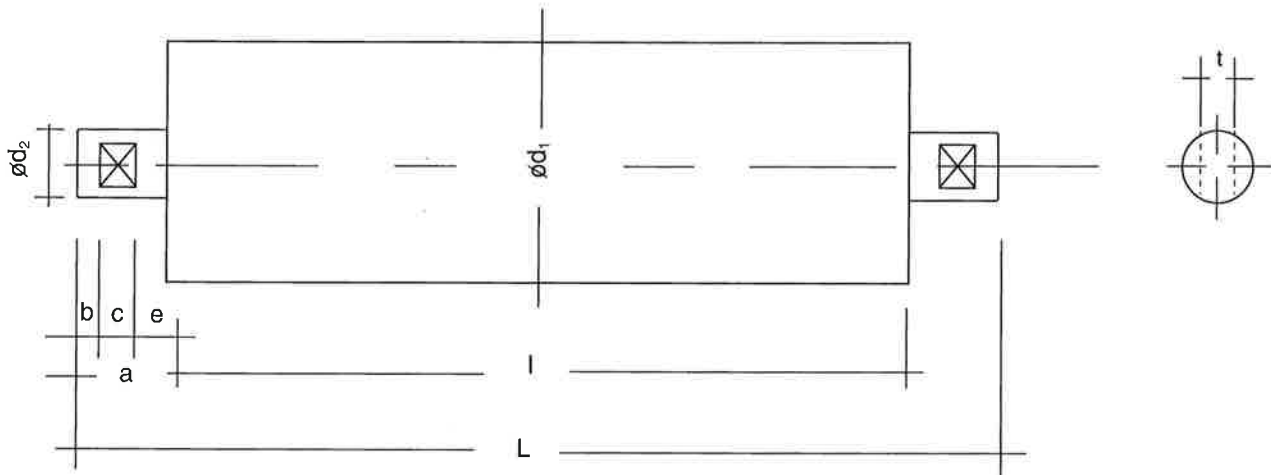


# SPECIFICATIONS



Unit: mm

CARRIER ROLLER														
RKM - NS	RKM - LS	RKM - RS	Belt width (mm)	Dimensions								B.B. No.	Weight (Kg)	
				$\phi d_1$	l	L	a	b	c	e	$\phi d_2$			t
RKM 40 - CR	RKM 40 - CR		400	89	145	177	16	4	8	4	19	14	6204	1.85
RKM 45 - CR	RKM 45 - CR		450	89	165	197	16	4	8	4	19	14	6204	2.15
RKM 50 - CR	RKM 50 - CR		500	89	180	212	16	4	8	4	19	14	6204	2.36
RKM 60 - CR	RKM 60 - CR		600	89	210	242	16	4	8	4	19	14	6204	2.55
RKM 75 - CR	RKM 75 - CR	RKM 75 - CR	750	114	265	297	16	4	8	4	19	14	6204	4.00
RKM 90 - CR	RKM 90 - CR	RKM 90 - CR	900	114	315	347	16	4	8	4	19	14	6204	4.75
	RKM 105 - CR	RKM 105 - CR	1050	139	370	410	20	4	11	5	24	18	6205	7.65
	RKM 120 - CR	RKM 120 - CR	1200	139	420	460	20	4	11	5	24	18	6205	8.40
		RKM 140 - CR	1400	165	500	540	20	4	11	5	29	22	6206	12.60
		RKM 160 - CR	1600	165	580	620	20	4	11	5	29	22	6206	14.60
		RKM 180 - CR	1800	165	650	690	20	4	11	5	34	25	6207	17.00
		RKM 200 - CR	2000	165	730	770	20	4	11	5	34	25	6207	19.70

RETURN ROLLER														
RKM - NS	RKM - LS	RKM - RS	Belt width (mm)	Dimensions								B.B. No.	Weight (Kg)	
				$\phi d_1$	l	L	a	b	c	e	$\phi d_2$			t
RKM 40 - RR	RKM 40 - RR		400	89	460	504	22	4	8	10	19	14	6204	4.95
RKM 45 - RR	RKM 45 - RR		450	89	510	554	22	4	8	10	19	14	6204	5.20
RKM 50 - RR	RKM 50 - RR		500	89	560	604	22	4	8	10	19	14	6204	5.90
RKM 60 - RR	RKM 60 - RR		600	89	660	704	22	4	8	10	19	14	6204	6.70
RKM 75 - RR	RKM 75 - RR	RKM 75 - RR	750	114	850	904	27	4	8	15	19	14	6204	11.00
RKM 90 - RR	RKM 90 - RR	RKM 90 - RR	900	114	1000	1054	27	4	8	15	19	14	6204	13.00
	RKM 105 - RR	RKM 105 - RR	1050	139	1150	1214	32	6	11	15	24	18	6205	20.45
	RKM 120 - RR	RKM 120 - RR	1200	139	1300	1364	32	6	11	15	24	18	6205	23.85
		RKM 140 - RR	1400	165	1530	1584	27	6	11	10	29	22	6206	33.55
		RKM 160 - RR	1600	165	1730	1784	27	6	11	10	29	22	6206	37.65
		RKM 180 - RR	1800	165	2000	2074	37	6	11	20	34	25	6207	46.80
		RKM 200 - RR	2000	165	2200	2274	37	6	11	20	34	25	6207	52.70

- NOTE : 1) The above rollers are manufactured according to JIS-B8803 to insure interchangeability.  
 2) Standard painting color is Black.  
 3) We reserve the right to alter the design, specifications or to discontinue the production of any item listed in this catalogue.



**ROKONMA (M) SDN. BHD.** (123360-A)

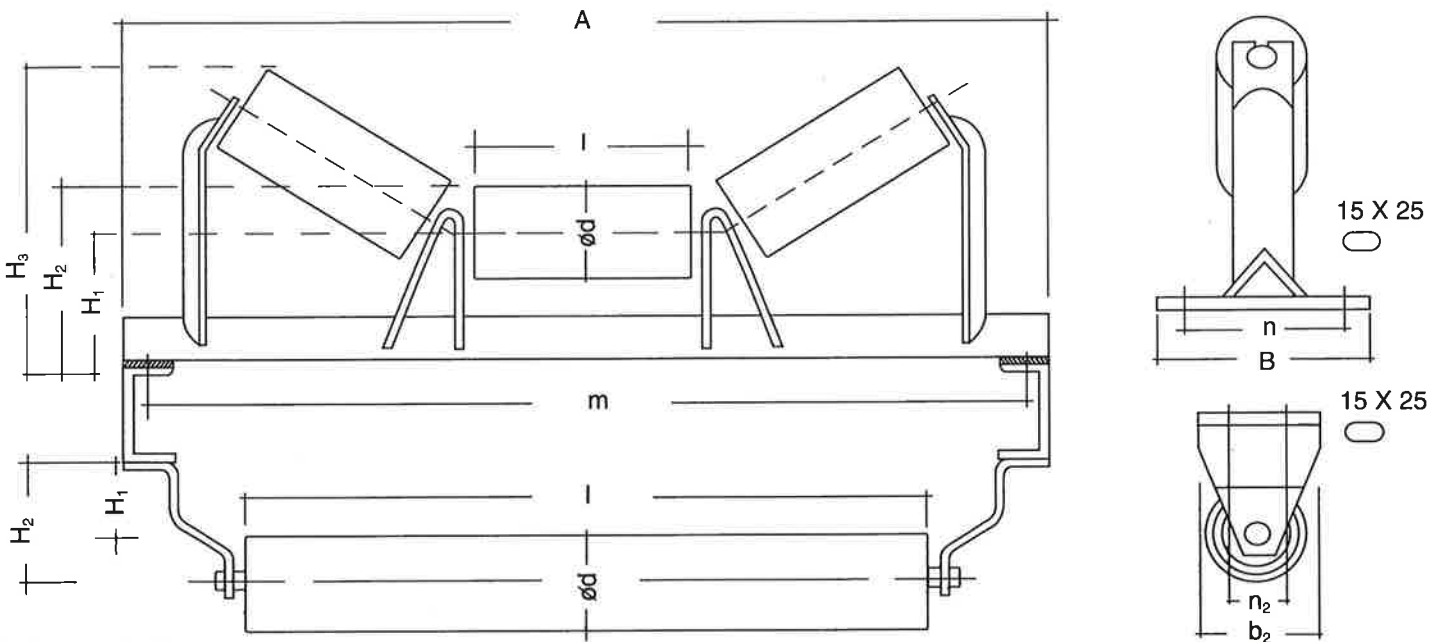
2-S, Jalan Bukit Badak, Subang New Village, 40150 Shah Alam, Selangor Darul Ehsan, West Malaysia.

Tel: 60(3)-7846 2554, 60(3)-7846 2824, 60(3)-7846 3355, 60(3)-78475564, 60(3)-7847 5448

Fax No: 60(3)-7846 2211, 60(3)-7847 5663 E-mail: info@rokonma.com.my Website: www.rokonma.com.my

# SPECIFICATIONS

## Carrier Roller



## Return Roller

Unit: mm

CARRIER ROLLER													
RKM - NS	RKM - LS	RKM - RS	Belt width (mm)	Dimensions									Weight (Kg)
				ød	l	m	A	H <sub>1</sub>	H <sub>2</sub>	H <sub>3</sub>	n	B	
RKM 40 - C	RKM 40 - C		400	89	145	640	690	125	170	247	140	190	11.40
RKM 45 - C	RKM 45 - C		450	89	165	690	740	125	170	257	140	190	12.40
RKM 50 - C	RKM 50 - C		500	89	180	740	790	125	170	264	140	190	13.25
RKM 60 - C	RKM 60 - C		600	89	210	840	890	140	185	294	150	200	14.00
RKM 75 - C	RKM 75 - C	RKM 75 - C	750	114	265	1040	1090	150	207	344	160	210	22.30
RKM 90 - C	RKM 90 - C	RKM 90 - C	900	114	315	1190	1240	150	207	369	160	210	25.65
	RKM 105 - C	RKM 105 - C	1050	139	370	1340	1390	180	250	440	180	230	39.35
	RKM 120 - C	RKM 120 - C	1200	139	420	1490	1540	180	250	465	180	230	43.70
		RKM 140 - C	1400	165	500	1730	1795	250	333	589	280	340	89.15
		RKM 160 - C	1600	165	580	1930	1995	250	333	629	280	340	109.00
		RKM 180 - C	1800	165	650	2220	2285	280	363	693	330	390	147.80
		RKM 200 - C	2000	165	730	2420	2485	280	363	734	330	390	163.10

RETURN ROLLER										
RKM - NS	RKM - LS	RKM - RS	Belt width (mm)	Dimensions						Weight (Kg)
				ød	l	H <sub>1</sub>	H <sub>2</sub>	n <sub>2</sub>	b <sub>2</sub>	
RKM 40 - R	RKM 40 - R		400	89	460	65	110	60	110	6.15
RKM 45 - R	RKM 45 - R		450	89	510	65	110	60	110	6.40
RKM 50 - R	RKM 50 - R		500	89	560	65	110	60	110	7.10
RKM 60 - R	RKM 60 - R		600	89	660	65	110	60	110	7.90
RKM 75 - R	RKM 75 - R	RKM 75 - R	750	114	850	53	110	60	110	12.20
RKM 90 - R	RKM 90 - R	RKM 90 - R	900	114	1000	53	110	60	110	14.20
	RKM 105 - R	RKM 105 - R	1050	139	1150	60	130	100	150	22.70
	RKM 120 - R	RKM 120 - R	1200	139	1300	60	130	100	150	26.10
		RKM 140 - R	1400	165	1530	78	160	120	180	38.40
		RKM 160 - R	1600	165	1730	78	160	120	180	42.50
		RKM 180 - R	1800	165	2000	78	160	120	180	51.65
		RKM 200 - R	2000	165	2200	78	160	120	180	57.55

- NOTE: 1) The above roller dimensions are based on JIS-B8803 to insure interchangeability.  
 2) The weight of rotating part is for 3 rolls in carrier roller and for one roll in return roller.  
 3) Rollers which rough angles other than 20° and 30° and tilted rollers are available in order.  
 4) We reserve the right to alter the design, specifications or to discontinue the production of any item listed in this catalogue.



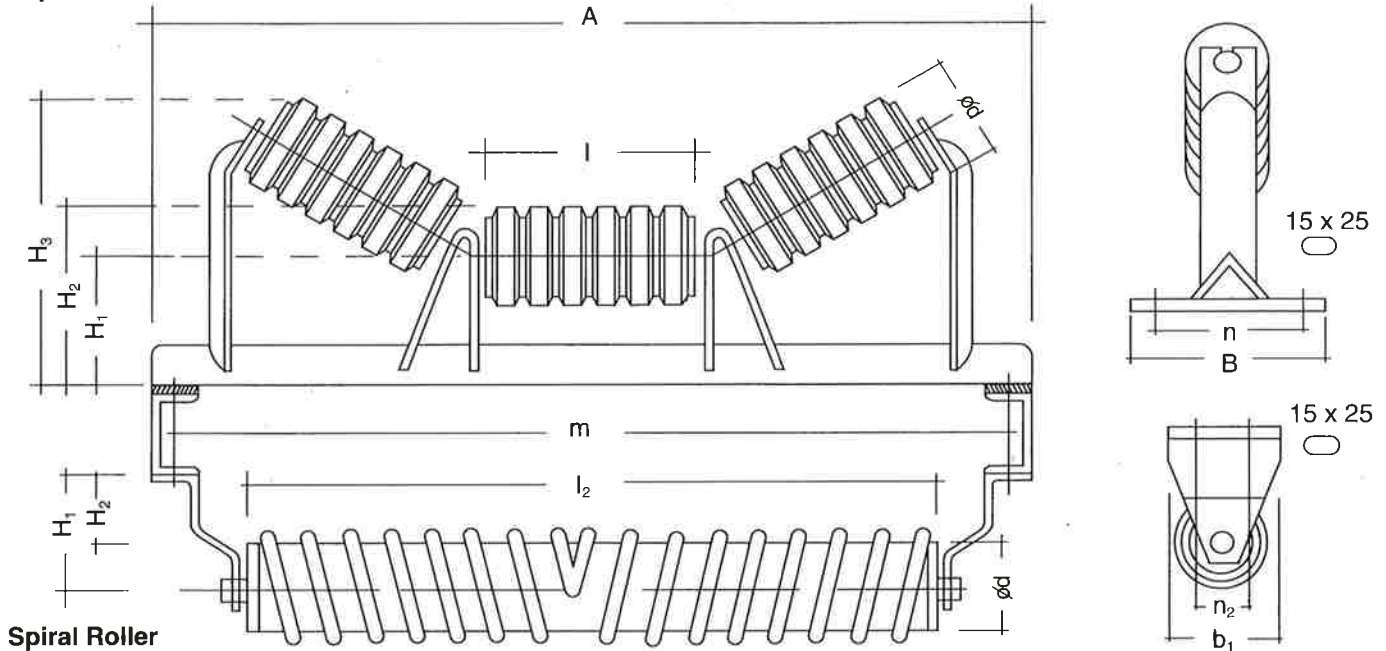
**ROKONMA (M) SDN. BHD.** (123360-A)

2-S, Jalan Bukit Badak, Subang New Village, 40150 Shah Alam, Selangor Darul Ehsan, West Malaysia.

Tel: 60(3)-7846 2554, 60(3)-7846 2824, 60(3)-7846 3355, 60(3)-78475564, 60(3)-7847 5448

Fax No: 60(3)-7846 2211, 60(3)-7847 5663 E-mail: info@rokonma.com.my Website: www.rokonma.com.my

## Impact Roller



## Spiral Roller

Reinforcing flat bars are furnished for belt width of 600mm or over. State if liners are necessary.

Unit: mm

IMPACT ROLLER													
RKM - NS	RKM - LS	RKM - RS	Belt width (mm)	Dimensions									Weight (Kg)
				ød	l	m	A	H <sub>1</sub>	H <sub>2</sub>	H <sub>3</sub>	n	B	
RKM 40 - I	RKM 40 - I		400	100	145	640	690	125	175	251	140	190	12.95
RKM 45 - I	RKM 45 - I		450	100	165	690	740	125	175	261	140	190	13.40
RKM 50 - I	RKM 50 - I		500	100	180	740	790	125	175	268	140	190	14.05
RKM 60 - I	RKM 60 - I		600	100	210	840	890	140	190	298	150	200	15.40
RKM 75 - I	RKM 75 - I	RKM 75 - I	750	115	265	1040	1090	150	208	344	160	210	22.20
RKM 90 - I	RKM 90 - I	RKM 90 - I	900	115	315	1190	1240	150	208	369	160	210	25.60
	RKM 105 - I	RKM 105 - I	1050	140	370	1340	1390	180	250	440	180	230	39.75
	RKM 120 - I	RKM 120 - I	1200	140	420	1490	1540	180	250	465	180	230	44.35
		RKM 140 - I	1400	165	500	1730	1795	250	333	589	280	340	91.40
		RKM 160 - I	1600	165	580	1930	1995	250	333	629	280	340	115.20
		RKM 180 - I	1800	165	650	2220	2285	280	363	693	330	390	151.90
		RKM 200 - I	2000	165	730	2420	2485	280	363	734	330	390	171.80

SPIRAL ROLLER												
RKM - NS	RKM - LS	RKM - RS	Belt width (mm)	Dimensions							Weight (Kg)	
				ød	l <sub>2</sub>	m	H <sub>1</sub>	H <sub>2</sub>	n <sub>2</sub>	b <sub>1</sub>		
RKM 40 - S	RKM 40 - S		400	100	460	640	60	110	60	110	8.20	
RKM 45 - S	RKM 45 - S		450	100	510	690	60	110	60	110	8.60	
RKM 50 - S	RKM 50 - S		500	100	560	740	60	110	60	110	10.50	
RKM 60 - S	RKM 60 - S		600	100	660	840	60	110	60	110	11.90	
RKM 75 - S	RKM 75 - S	RKM 75 - S	750	115	850	1040	53	110	60	110	16.50	
RKM 90 - S	RKM 90 - S	RKM 90 - S	900	115	1000	1190	53	110	60	110	19.00	
	RKM 105 - S	RKM 105 - S	1050	142	1150	1340	59	130	100	150	36.50	
	RKM 120 - S	RKM 120 - S	1200	142	1300	1490	59	130	100	150	40.60	
		RKM 140 - S	1400	166	1530	1730	77	160	120	180	68.50	
		RKM 160 - S	1600	166	1730	1930	77	160	120	180	73.20	
		RKM 180 - S	1800	166	2000	2220	77	160	120	180	89.20	
		RKM 200 - S	2000	166	2200	2420	77	160	120	180	96.10	

- NOTE : 1) The above rollers are manufactured according to JIS-B8803 to insure interchangeability.  
 2) Standard painting color is Black.  
 3) We reserve the right to alter the design, specifications or to discontinue the production of any item listed in this catalogue.

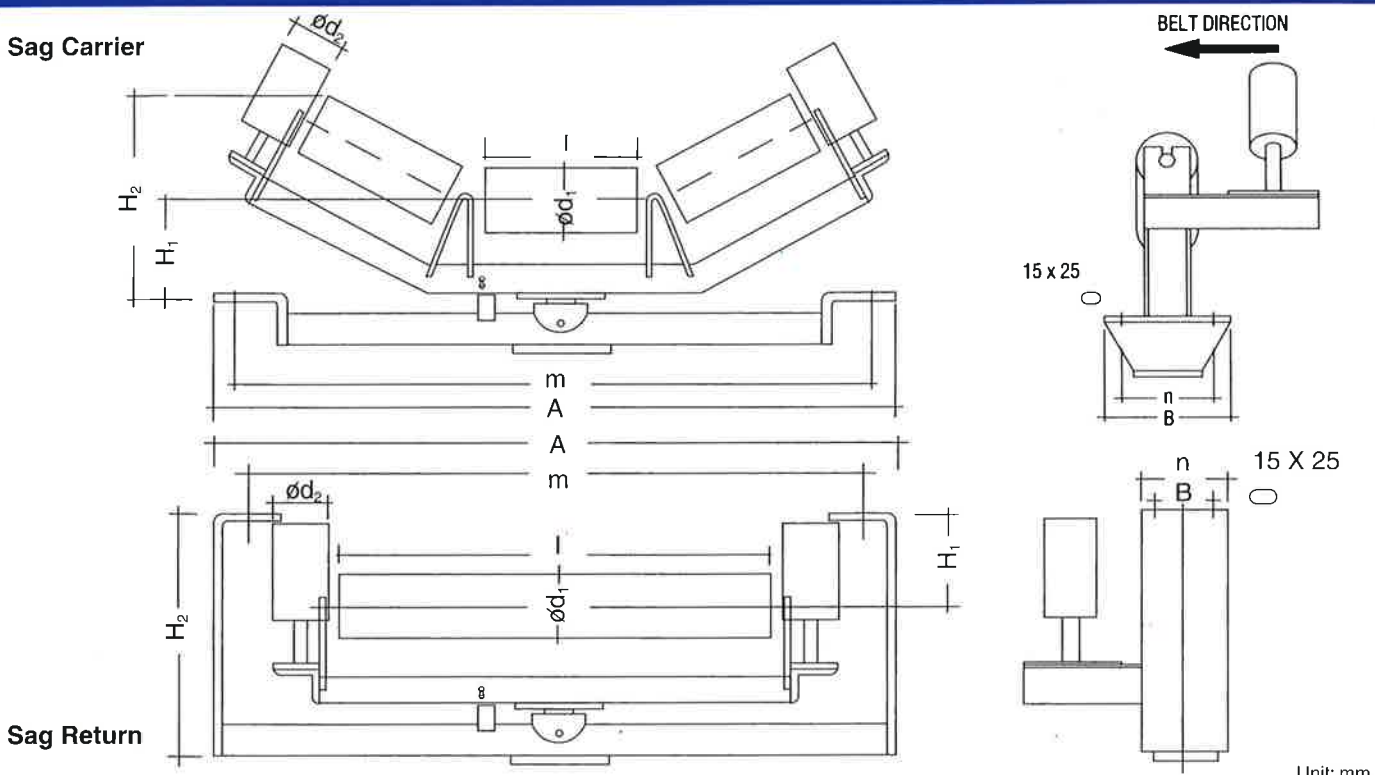


**ROKONMA (M) SDN. BHD.** (123360-A)

2-S, Jalan Bukit Badak, Subang New Village, 40150 Shah Alam, Selangor Darul Ehsan, West Malaysia.

Tel: 60(3)-7846 2554, 60(3)-7846 2824, 60(3)-7846 3355, 60(3)-78475564, 60(3)-7847 5448

Fax No: 60(3)-7846 2211, 60(3)-7847 5663 E-mail: info@rokonma.com.my Website: www.rokonma.com.my



Unit: mm

### SAG CARRIER ROLLER

RKM - NS	RKM - LS	RKM - RS	Belt width (mm)	Dimensions									Weight (Kg)
				ød <sub>1</sub>	ød <sub>2</sub>	l	m	A	H <sub>1</sub>	H <sub>2</sub>	n	B	
SAG 40 - C	SAG 40 - C		400	89	76	145	640	690	125	247	140	190	23.65
SAG 45 - C	SAG 45 - C		450	89	76	165	690	740	125	257	140	190	24.50
SAG 50 - C	SAG 50 - C		500	89	76	180	740	790	125	264	140	190	26.00
SAG 60 - C	SAG 60 - C		600	89	76	210	840	890	140	294	150	200	28.25
SAG 75 - C	SAG 75 - C	SAG 75 - C	750	114	76	265	1040	1090	150	344	160	210	40.35
SAG 90 - C	SAG 90 - C	SAG 90 - C	900	114	76	315	1190	1240	150	369	160	210	53.00
	SAG 105 - C	SAG 105 - C	1050	139	89	370	1340	1390	180	440	180	230	65.50
	SAG 120 - C	SAG 120 - C	1200	139	89	420	1490	1540	180	465	180	230	68.00
		SAG 140 - C	1400	165	114	500	1730	1795	250	589	280	340	118.50
		SAG 160 - C	1600	165	114	580	1930	1995	250	629	280	340	147.30
		SAG 180 - C	1800	165	114	650	2220	2285	280	693	330	390	179.25
		SAG 200 - C	2000	165	114	730	2420	2485	280	734	330	390	198.10

### SAG RETURN ROLLER

RKM - NS	RKM - LS	RKM - RS	Belt width (mm)	Dimensions									Weight (Kg)
				ød <sub>1</sub>	ød <sub>2</sub>	l	m	A	H <sub>1</sub>	H <sub>2</sub>	n	B	
SAG 40 - R	SAG 40 - R		400	89	76	460	640	690	110	329	60	110	24.10
SAG 45 - R	SAG 45 - R		450	89	76	510	690	740	110	329	60	110	25.00
SAG 50 - R	SAG 50 - R		500	89	76	560	740	790	110	329	60	110	26.40
SAG 60 - R	SAG 60 - R		600	89	76	660	840	890	110	351	60	110	28.50
SAG 75 - R	SAG 75 - R	SAG 75 - R	750	114	76	850	1040	1090	110	353	60	110	39.25
SAG 90 - R	SAG 90 - R	SAG 90 - R	900	114	76	1000	1190	1240	110	353	60	110	47.00
	SAG 105 - R	SAG 105 - R	1050	139	89	1150	1340	1400	130	426	100	150	57.50
	SAG 120 - R	SAG 120 - R	1200	139	89	1300	1490	1550	130	426	100	150	64.80
		SAG 140 - R	1400	165	114	1530	1730	1800	160	518	120	170	93.25
		SAG 160 - R	1600	165	114	1730	1930	2000	160	518	120	170	108.45
		SAG 180 - R	1800	165	114	2000	2220	2290	160	573	120	220	163.50
		SAG 200 - R	2000	165	114	2200	2420	2490	160	573	120	220	178.50

NOTE: 1) Self aligning rollers which rough angles other than 20° and 30° are also available.  
 2) We reserve the right to alter the design, specifications or discontinue the production of any item listed in this catalogue.



**ROKONMA (M) SDN. BHD.** (123360-A)  
 2-S, Jalan Bukit Badak, Subang New Village, 40150 Shah Alam, Selangor Darul Ehsan, West Malaysia.  
 Tel: 60(3)-7846 2554, 60(3)-7846 2824, 60(3)-7846 3355, 60(3)-78475564, 60(3)-7847 5448  
 Fax No: 60(3)-7846 2211, 60(3)-7847 5663 E-mail: info@rokonma.com.my Website: www.rokonma.com.my